

FITTINGS

CLEARLY MARKED:

PRECISION SAFETY EFFICIENCY

GUARANTEED



CLEAR IDENTIFICATION

Clear identification possible by embossing customer-specific logos and entire lettering.



INFORMATION

Material marking on various geometries (circumference, hexagon, flat side, etc.) without distortion.



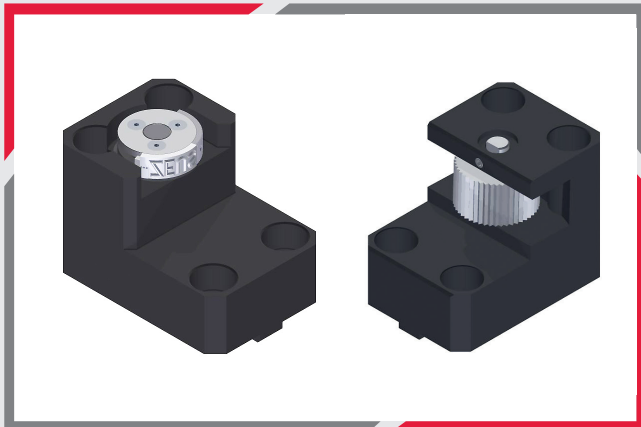
INSTALLATION

Simple installation of our tools in your machine for the fastest possible production deployment.



ABSOLUTE SAFETY

Optimum marking depth for absolute safety of your fittings with maximum tool life.



FOR ALL THOSE WHO OPTIMIZE AND NO MORE SET-UP

For the economical production of fitting parts, it is not only important to have as few machine and tool changes as possible, but also to rule out any damage. As you can see on the left, a special fixture was used. This enabled not only clean knurling to be achieved in a single step, but also reliable marking right up to the collar.

MORE QUESTIONS?

Hommel+Keller Präzisionswerkzeuge GmbH | Nagelsee 6 | D-78554 Aldingen | Germany | +49 (0) 7424 9705-0 | sales@hommel-keller.de

